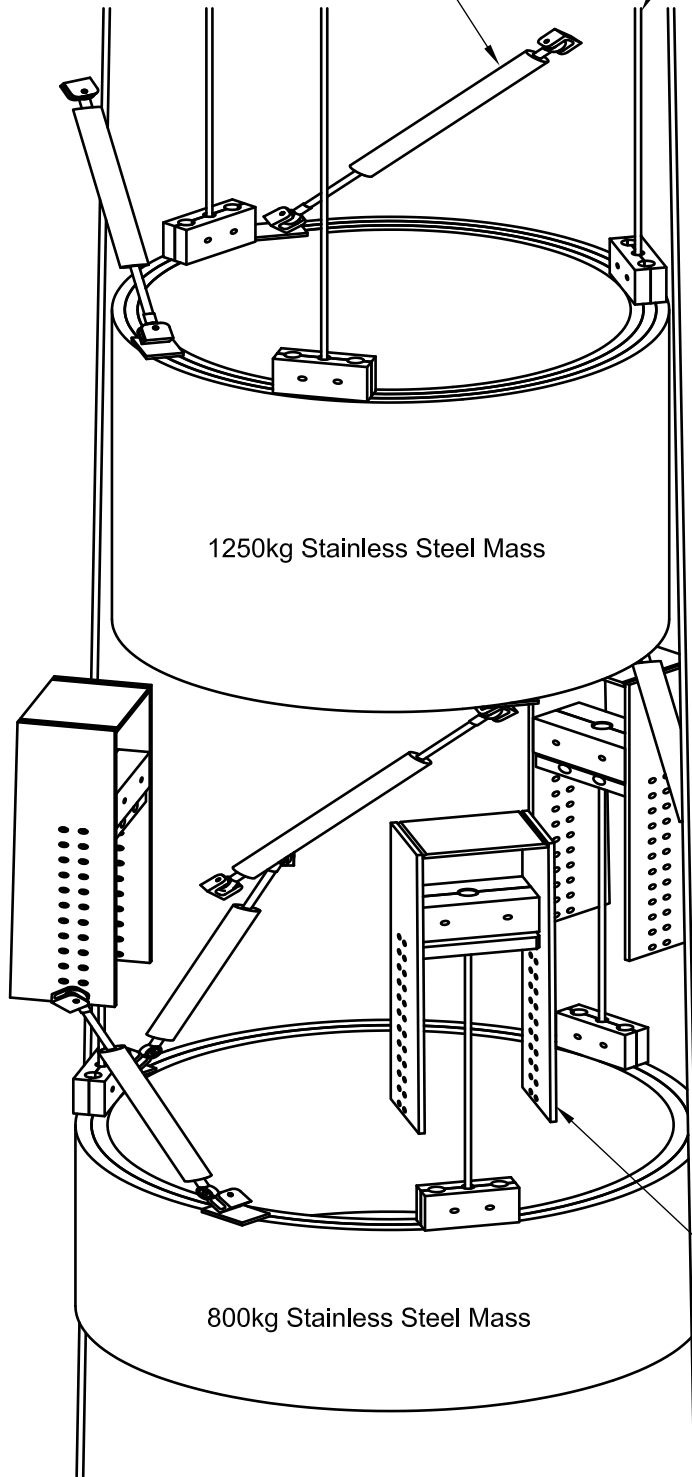
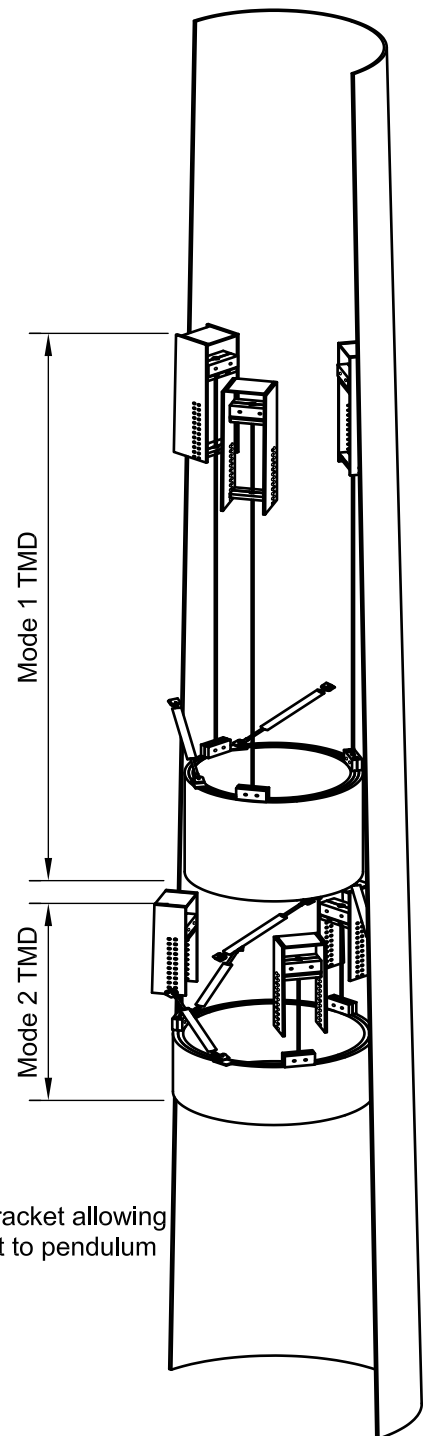


Enclosed viscous damping devices fixed to stainless steel mass and spire internal surface.

Cable Hanger



Enlarged View of Tuned Mass Dampers



Cut Away View of 5th Frustrum

Spire of Dublin Tuned Mass Dampers